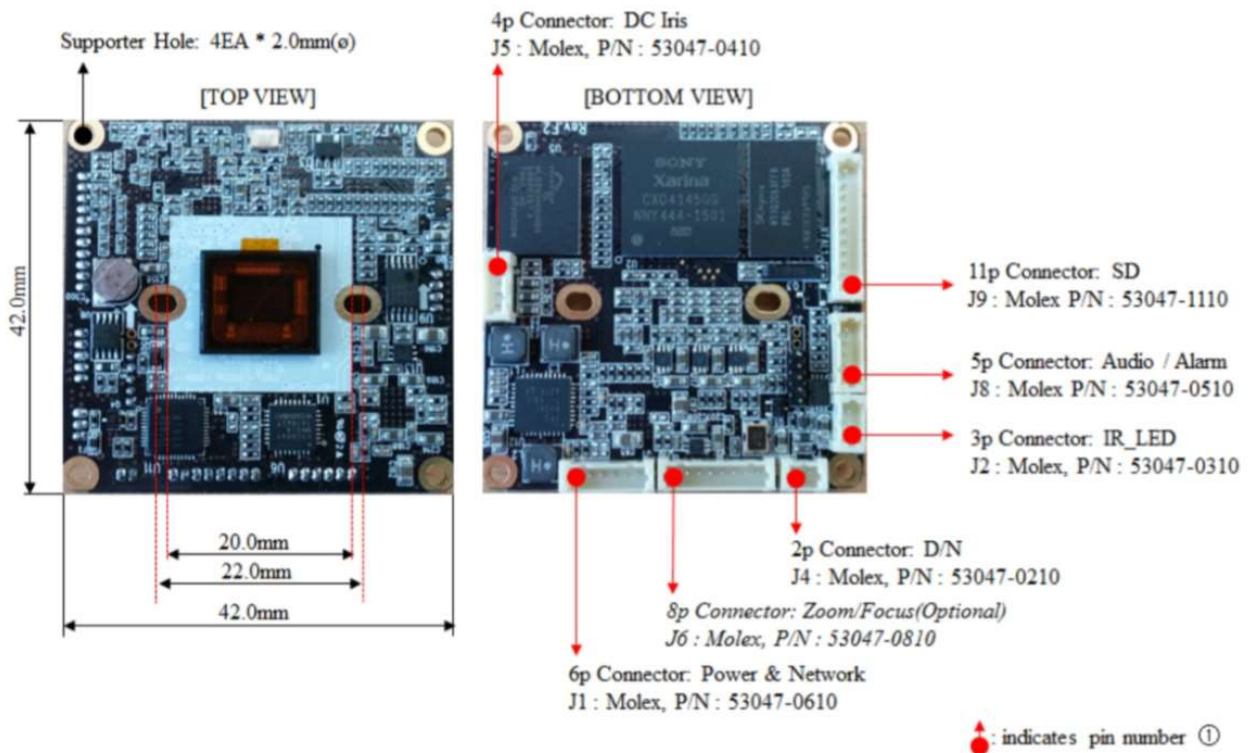




# 2 MP BOARD LEVEL IP CAMERA MODULE



- 42 x 42mm
- SONY STARVIS™ CMOS SENSOR
- Full HD 1080p30, H264 / MJPEG
- IR LED
- N&D
- DC IRIS
- ZOOM / FOCUS
- AUDIO / ALARM
- SD CARD INTERFACE
- ONVIF PROFILE S COMPLIANT

## MODULE SPECIFICATIONS

<b>SENSOR</b>	
Manufacturer	SONY IMX2914LQR-C (STARVIS™)
Image Size	1/2.8 inch
<b>Motorized LENS (Optional) - other lenses possible</b>	
Focal Length	2.8~12 mm
F No.	1.4±5%
Format	1/2.7" inch
Dimension	Φ28.05 x 37.74 x 45.1 mm
Field of View	H103° x V74.4° ~ H30.8° x V23.3°
<b>IMAGE</b>	
Image Sensor	Sony Megapixel RGB Bayer Array CMOS Sensor IMX291LQR
Number of Effective Pixels	1920(H) x 1080(V) approx. 2.07M pixels (Full-HD mode)
Min. Illumination	Color Mode: 0.05 lx / B/W Mode: 0.005 lx
Scanning Mode	Progressive Scan
S/N Ratio	54dB
<b>CAMERA</b>	
Wide Dynamic Range	Digital WDR (ATR-EX)
Day and Night Mode	Automatic, Day, Night
Noise Reduction	2D-NR, 3D-NR
Auto Exposure Mode	Automatic (Priority: Frame rate/Low noise), Manual
Shutter Speed Control	Automatic: Min. 1/135,000 sec ~ Max. 1/60 sec Manual: Min. 1/10,000 sec ~ Max. 1/10 sec
Gain Control	Automatic: Min. 1.2dB ~ Max. 54dB Manual: Min. 1.2dB ~ Max. 54dB, Default 1.2dB
Auto White Balance Mode	ATW-Indoor/Outdoor, Shade, Clear sky, Fluorescent light, Light bulb, Flame, Manual
Auto Focus (Optional)	One Push, Manual, (Automatic)
Optical Zoom (Optional)	Motorized 4.2x
Optical Zoom Speed (Optional)	1~6 Steps
Digital Zoom	16x
OSD	On/Off
Back Light Compensation	On/Off
High Light Compensation	On/Off
Image Effect	Mirror, Flip
Privacy Mask	Max.8 Area Selection
Tamper	On/Off
Video Motion Detection	Max.4 Area Selection
Corridor Format	90°/270°
Defog	On/Off
Lens Distortion Compensation	On/Off

<b>NETWORK</b>	
Video Compression	H.264(High, Main, Base line profile), MJPEG
Video Resolution	1920x1080(Full-HD), 1280x1024(SXGA), 1280x720(HD), 704x480(4CIF/NT), 704x576(4CIF/PAL), 640x480(VGA), 352x288(CIF), 320x240(QVGA)
Video Frame Rate	Up to 30fps@1920x1080p
Video Streaming	Simultaneously H.264 and MJPEG (Triple Streaming) Independent Frame Rate and Bandwidth Control, VBR/CBR Mode
Audio Streaming	Two way(G.711)
FTP Uploading	MJPEG Still Image
Event In	Onboot/Trigger/Network Loss/Tampering/Motion
Event Out Notification	E-mail, FTP
Login Authority	Administrator, Operator, Guest
Event Buffering	FTP : Pre/Post Event Time: 0~30sec, FPS: 1~2 fps
Manual Trigger	Still Image Capture
Security	Multi User Authority, IP Filtering, HTTPS
Network Time Sync	Synchronize Computer/NTP Server, Manual
Software Reset	Restart, Reset, Factory Default
Auto Recovery	Backup, Restore
Remote Upgrade	Using Web Browser
Protocols	TCP/IP, UDP, IPv4/v6, HTTP, HTTPS, FTP, UPnP, RTP, RTSP, RTCP, DHCP, ARP, Zeroconf
Client Software	Built-In Web, ONVIF Compatible 3rd Party VMS
Max. User Connection	10 Users
SDK Support	API, ONVIF Profile S Compliant
<b>EXTERNAL IN/OUT</b>	
Ethernet Tx/Rx	RJ-45(10/100Base-T)
IR_LED Control	IR_LED Control On/Off
Day & Night Control	IR_Cut_Filter Exchange
Iris Control	DC-Iris, Fixed
Alarm Control	Alarm-In 1/Alarm-Out 1
SD Card	SDHC/SDXC
Audio	Line-In/Line-Out
Zoom Control	Max. 4.2x
Focus Control	One-Push, Manual, (Automatic)
<b>OPERATION ENVIRONMENTS</b>	
Operating Humidity	0~90% (non-condensing)
Operating Temperature	-10°C~ +50°C
Power Supply	DC12V
Power Consumption	4W(without IR_LED)
Dimension	42.0mm(H) x 42.0mm(V)
Weight	15g